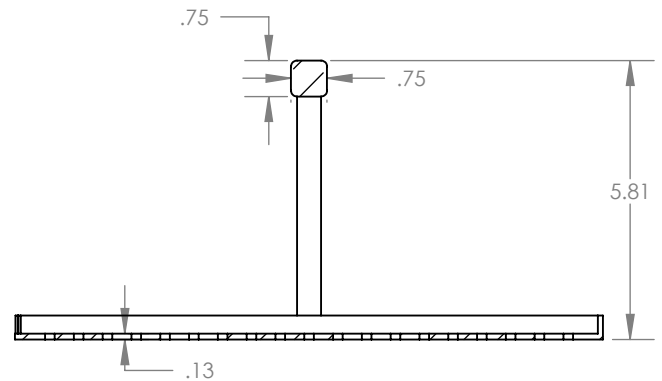
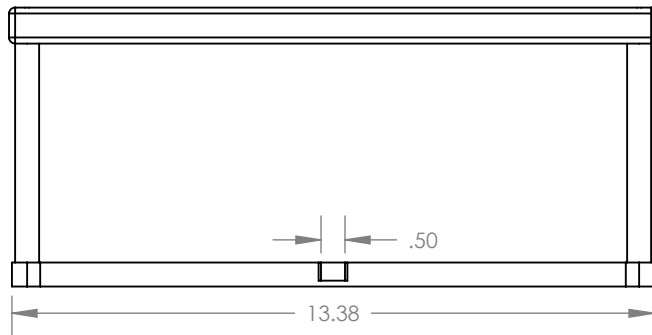
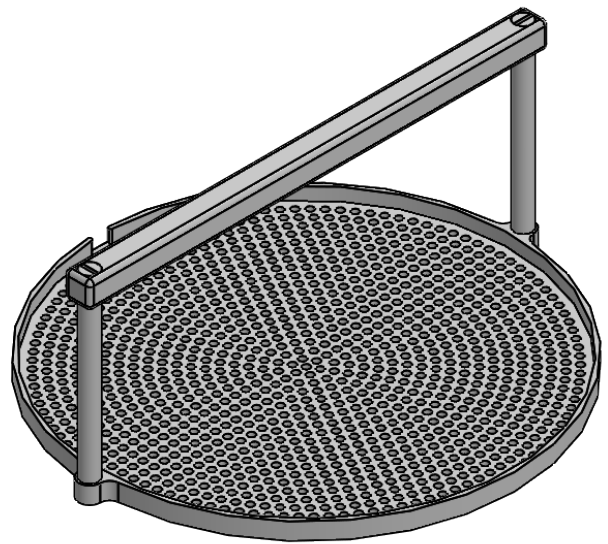
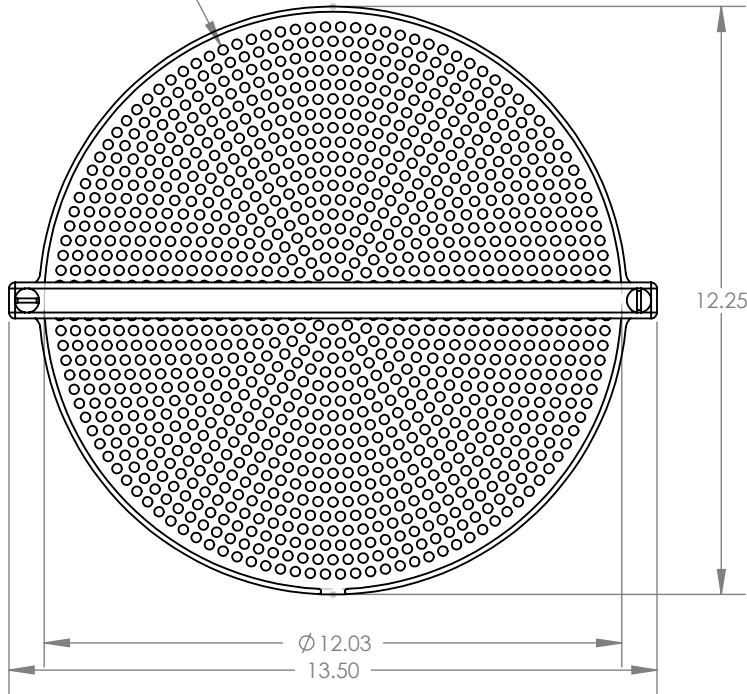


1141X
 Ø .201 THRU ALL



PROPRIETARY AND CONFIDENTIAL

THE INFORMATION CONTAINED IN THIS DRAWING IS THE SOLE PROPERTY OF SHAPEMASTER INC. ANY REPRODUCTION IN PART OR AS A WHOLE WITHOUT THE WRITTEN PERMISSION OF SHAPEMASTER INC. IS PROHIBITED.

			DIMENSIONS ARE IN INCHES TOLERANCES: ANGULAR:MACH±. BEND±. TWO PLACE DECIMAL ±.01 THREE PLACE DECIMAL ±.005
			MATERIAL PTFE
			FINISH As Machined
NEXT ASSY	USED ON		
APPLICATION			DO NOT SCALE DRAWING

	NAME	DATE
DRAWN	RL	4/30/20
ENG APPR.		
MFG APPR.		
Q.A. APPR.		
Comments		



12" Wafer Dipper

ShapeMaster Inc.

P.O. Box 372
 108 E. Main Street
 Ogden, IL. 61859
 (886) 670-2799

SIZE	DWG. NO.	REV.
A	SM12WD1	A
SCALE: 1:4	WEIGHT:	SHEET 1 OF 1